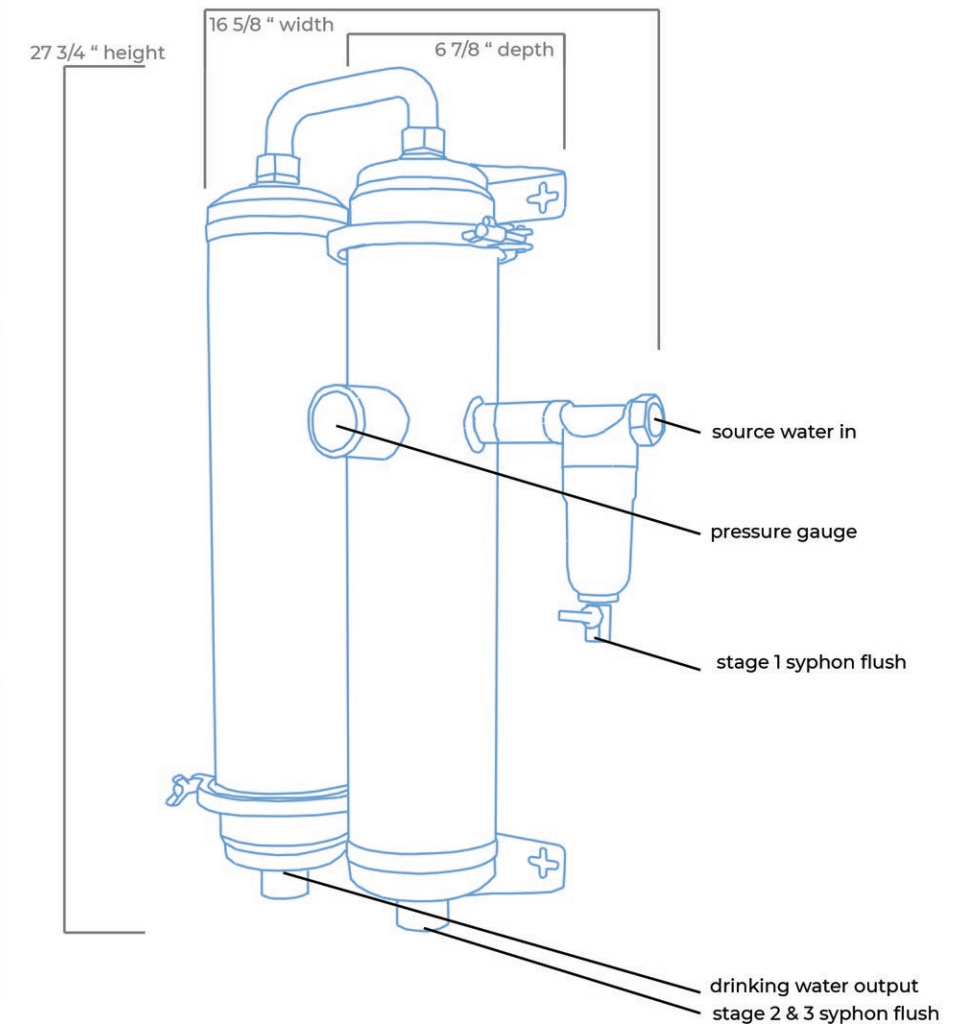
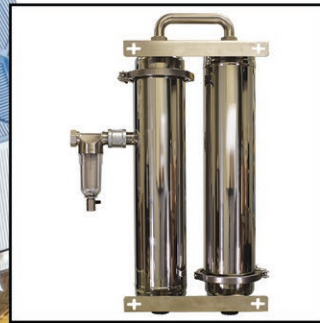
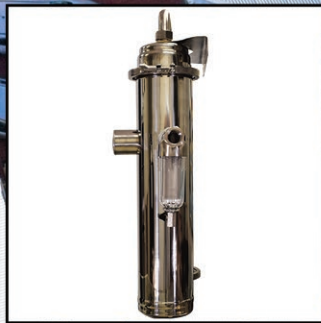


H2O-MULTIUF SENTINEL-TEK SERIES

H2O INC
INTERNATIONAL H2O INC
1(888) 982-8311
sales@internationalh2o.com
www.internationalh2o.com

18267 NE 4th Ct
North Miami Beach FL 33162

H2O



Pure Water, Whole House

Introducing IH2O's H2O-110 POE System – a robust all-in-one solution for whole house and Point of Entry (POE) applications. Designed and Developed to elevate your home water quality to superior levels in one convenient package, this advanced system is designed with precision, performance, and purity in mind.

1st Stage: Pre Filtration

Stainless Steel 40 Micron Filtration | with Syphon Flushing Function
Improve water quality right from the start. The double-layer woven stainless steel 304 mesh, averaging 40 microns precision, removes sediment, impurities, and even iron rust. This extends the life of your home appliances by up to 40%. With a flushing function that dramatically extends filter life, this stage sets the foundation for exceptional water purity.

2nd Stage: Ultra Filtration

Nano Tube 0.01 Micron Occlusion | Out-to-In for Optimal Flushing
The heart of the system, this stage boasts a flow rate of 22-26 GPM (Gallons Per Minute) and a filtration rating of 0.01 microns. It's designed to remove 99% of bacteria, sediment, and impurities. With a built-in water pressure gauge, maintenance is a breeze. Say hello to water that's cleaner, safer, and simply better.

3rd Stage: Sintered Carbon Block with Anti-Scale

Coconut Shell AC & Compound Phosphate | 5 Micron Adsorption Filtration
The final touch that guarantees exceptional water quality. 99% scale reduction utilizes template assisted crystallization (T.A.C) eliminating scale build up, lengthening the life of household appliances, and commercial boilers; also removes chlorine, chemical residuals, and heavy metals.

System Excellence and Assurance

Crafted from 304 Stainless Steel, our system housing is built to last. Each filter cartridge is meticulously engineered to provide the highest level of filtration. With a flow rate of 22-26 GPM, water needs are met efficiently, consistently, and reliably.

Water Redefined, Redesigned, and Reimagined

Elevate your home's water quality with IH2O's Triple Stage Water Filtration System. From protecting your appliances to delivering pristine drinking water, this system is a testament to IH2O's commitment to excellence. With durability, efficiency, and unmatched performance, let IH2O redefine your water experience.

Installation position

After water meter, pre-filter, or central pipe

Features in Summary

- Flushing function for extended filter life
- Triple filters convert tap water to drinking water
- Stainless steel housing for durability
- Fast connection clamp for easy maintenance
- Complete home or point of entry solution

1st Stage: Pre Filtration Stainless Steel 40 Micron Filter

Flow rate: 26-32 GPM (Gallons Per Minute)
Filtration Rating: 40 microns
Double-layer woven stainless steel 304 mesh, averaging 40 microns
Applicable water source: municipal tap water
Applicable water temperature: 41-142 °F
Removes sediment, large impurities, and iron rust
Extends appliance and 2nd Stage Filter Service Life by 20% to 40%
Suggested flushing period: 2 months

2nd Stage: Ultra Filtration Nano Tube Filter

Flow rate: 22-26 GPM (Gallons Per Minute)
Filtration Rating: 0.01 microns
Applicable water pressure: 14.5 - 72.5 PSI
Applicable water source: municipal tap water
Applicable water temperature: 41-113 °F
Removes 99% bacteria, sediment, impurities
Easy-to-flush out-to-in UF membrane
Suggested flushing period: 2 months

3rd Stage: Sintered Carbon Block with Anti-Scale

Flow rate: 22-26 GPM (Gallons Per Minute)
Filtration Rating: 5 microns
Applicable water pressure: 0.1-0.5Mpa
Applicable water source: municipal tap water
Applicable water temperature: 41-113 °F
Anti-scaling sintered carbon filter with inhibitor
Removes chlorine, chemical residuals, heavy metals
Suggested flushing period: 2 months

Specifications & Stats

Dimensions	Width	16 5/8 inches
	Depth	6 7/8 inches
	Height	27 3/4 inches
	Weight	23.75 lbs
Maximum Flow Rate Filtration Service Life	Maximum Flow Rate	26 GPM (Gallons Per Minute)
	Filtration Service Life	2 Years
Working Pressure	Min	14.5 PSI
	Max	72.5 PSI
Operating Temperature	Min	41°F
	Max	113°F
Source Water Input		1 inch Female NPT
Stage 1 Flush Output		1/4 inch female quick connect
Stage 2 & 3 Flush Output		1 inch Male NPT
Drinking Water Output		1 inch Male NPT

AVAILABLE IN:



stainless steel